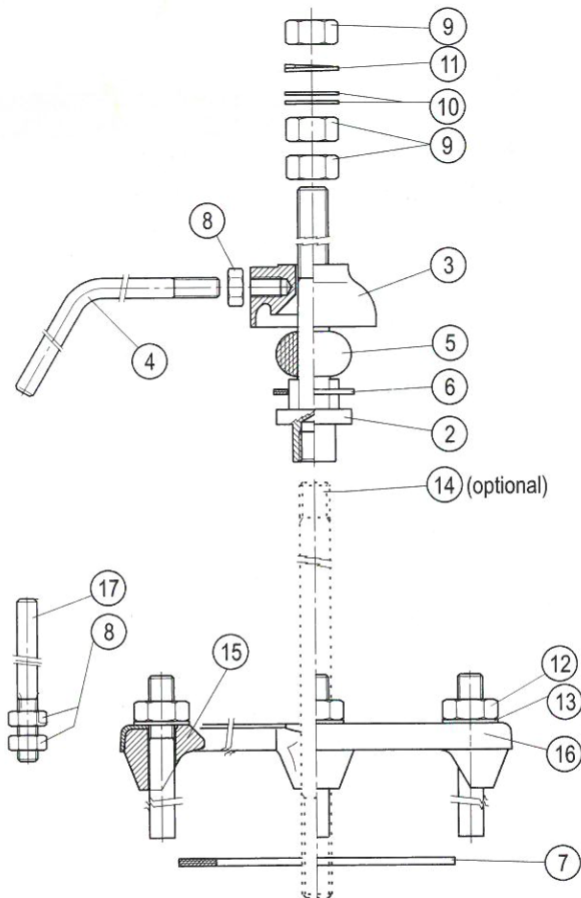
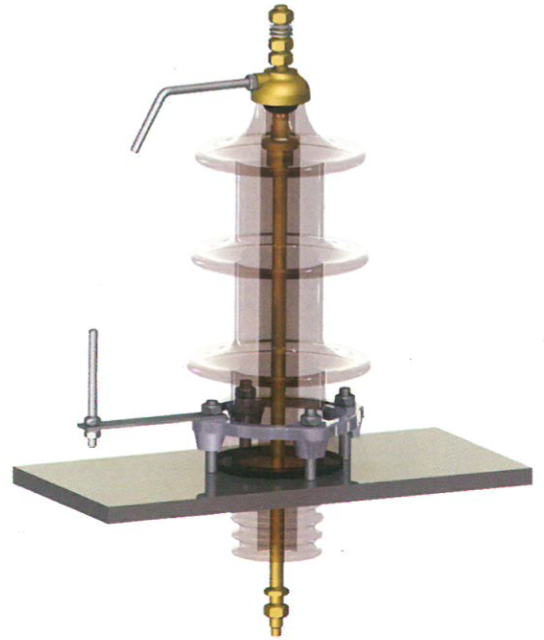


Ref.	a	c	g	l1	w(kg)
10NF 250A	310	85	150	371	4.5
20NF 250A	385	155	150	461	6.1
30NF 250A	485	220	170	561	7.5



Ref.	Parts	Material	250A
1	Porcelain	C110	1
2	Connecting Stud D M12	CuZn40Pb2	1
3	Cap E	CuZn40Pb2	1
4	Top Arcing Horn K M8	St37 zinc □ A2-70 □	1
5	Ring Gasket J	NBR	1
6	Shaped Packing O	NBR □ Presspan □	1
7	Flat Gasket N	NBR □ Cork □	1
8	Nut M8 DIN934	St37 zinc □ A2-70 □	3
9	Nut M12 DIN934	CuZn40Pb2	3
10	Washer 13 DIN125	CuZn40Pb2	2
11	Spring Washer 13 DIN 127	St37 zinc □ A2-70 □	1
12	Nut M10 DIN934	St37 zinc □ A2-70 □	4
13	Washer 10,5 DIN125	St37 zinc □ A2-70 □	4
14	Threaded Bolt M12 (optional)	CuZn40Pb2	1
15	Aluminium Clamp E DIN42538	Aluminium	1
16	Fixing Ring A DIN42538	Alu. □ Steel □ A2-70 □	1
17	Bottom Arcing Horn H M8	St37 zinc □ A2-70 □	1